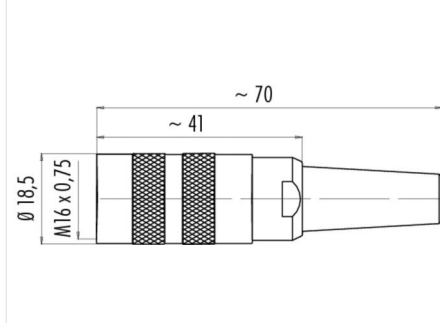


Product description **Contacts: 8 DIN, female cable connector with cable clamp, shieldable, cable outlet 4 - 6 mm, silver plated contacts**
 Area **M16 IP40 Series 581**
 Order number **99 2062 10 08**

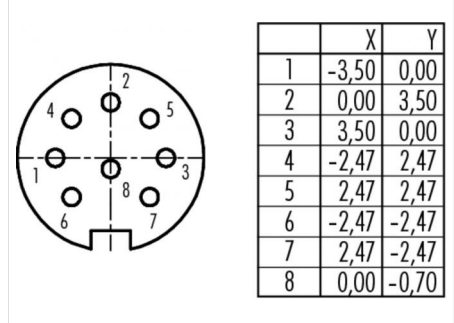
Illustration



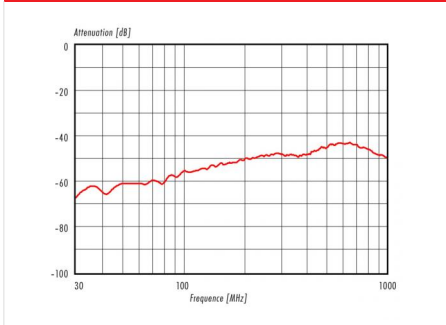
Scale drawing



Contact arrangement



Derating curve



You can find the component part drawing on the next page.

Technical data

General values

Connector design female cable connector
 Connector locking system bolted
 Termination solder
 Wire gauge (mm) 0,75 mm²
 Wire gauge (AWG) 20
 Cable outlet 4,0 - 6,0 mm
 Upper limit temperature 85 °C
 Lower limit temperature -40 °C

Electrical values

Rated current (40 °C) 5 A
 Rated voltage 60 V
 Rated impulse voltage 500 V
 Pollution degree 1
 Overvoltage category I
 Insulating material group III
 Volume resistivity ≤ 5 mΩ
 Insulation resistance ≥ 10¹⁰Ω
 EMC compliance shieldable
 Degree of protection IP40
 Mechanical operation > 500 Mating cycles

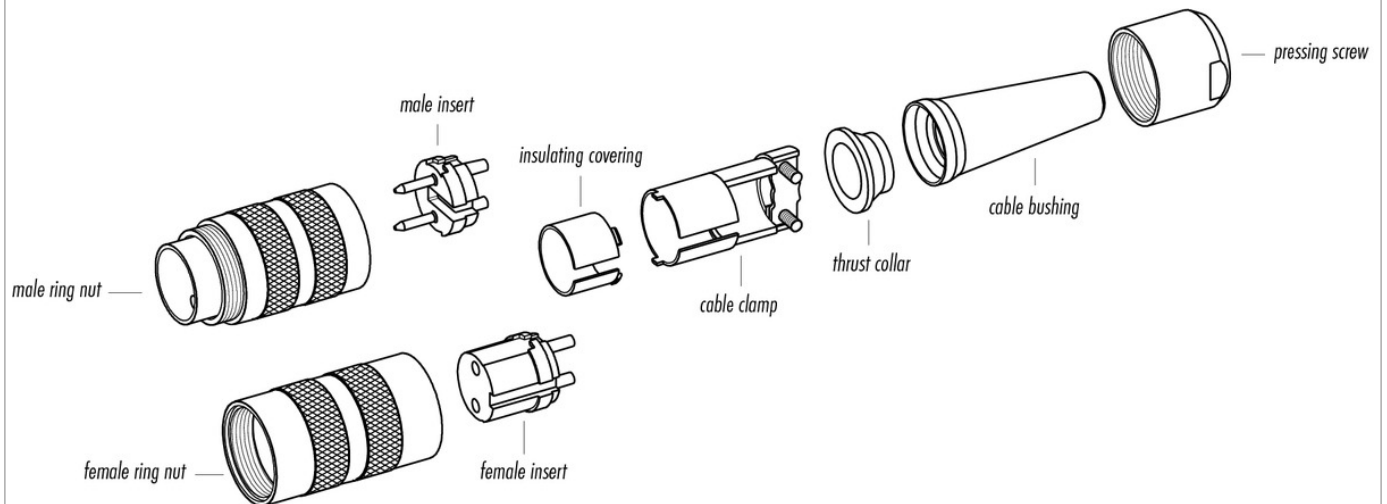
Material

Contact material CuSn (bronze)
 Contact plating Ag (silver)
 Contact body material PBT (UL 94 V-0)

Product description **Contacts: 8 DIN, female cable connector with cable clamp, shieldable, cable outlet 4 - 6 mm, silver plated contacts**

Area **M16 IP40 Series 581**
Order number **99 2062 10 08**

Component part drawing



Product description	Contacts: 8 DIN, female cable connector with cable clamp, shieldable, cable outlet 4 - 6 mm, silver plated contacts
Area	M16 IP40 Series 581
Order number	99 2062 10 08

Security notices

The connectors are designed for use in plant, control system and electrical equipment. The end user is responsible for checking whether the connectors are suitable for use in other applications.

To lock the cable connector to the equipment connector, the threaded ring is tightened until it is 'finger-tight' (approx. 50 cNm).