

# Product data sheet

## Miniature connectors



Product description **Contacts: 6 DIN, female cable connector with cable clamp, shieldable, cable outlet 4 - 6 mm, silver plated contacts**

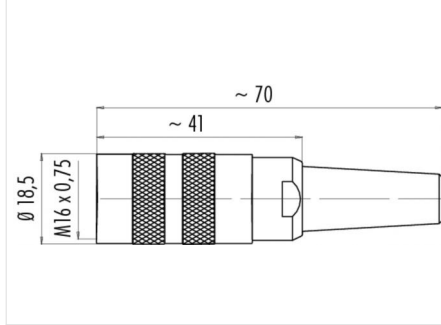
Area **M16 IP40 Series 581**

Order number **99 2022 10 06**

### Illustration



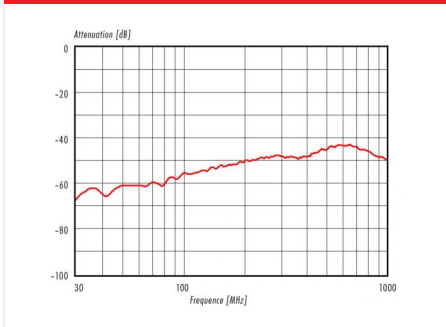
### Scale drawing



### Contact arrangement

	X	Y
1	-3,03	-1,75
2	-3,03	1,75
3	0,00	3,50
4	3,03	1,75
5	3,03	-1,75
6	0,00	0,00

### Derating curve



You can find the component part drawing on the next page.

## Technical data

### General values

Connector design female cable connector  
 Connector locking system bolted  
 Termination solder  
 Wire gauge (mm) 0,75 mm<sup>2</sup>  
 Wire gauge (AWG) 20  
 Cable outlet 4,0 - 6,0 mm  
 Upper limit temperature 85 °C  
 Lower limit temperature -40 °C

### Electrical values

Rated current (40 °C) 5 A  
 Rated voltage 250 V  
 Rated impulse voltage 1500 V  
 Pollution degree 1  
 Overvoltage category I  
 Insulating material group III  
 Volume resistivity ≤ 5 mΩ  
 Insulation resistance ≥ 10<sup>10</sup>Ω  
 EMC compliance shieldable  
 Degree of protection IP40  
 Mechanical operation > 500 Mating cycles

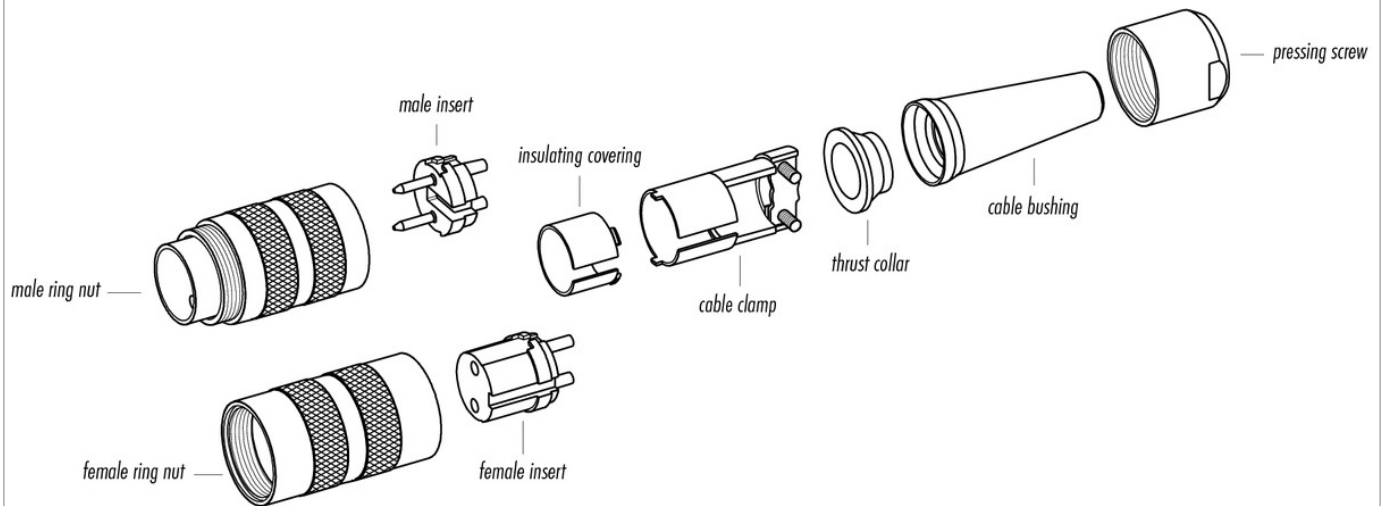
### Material

Contact material CuSn (bronze)  
 Contact plating Ag (silver)  
 Contact body material PBT (UL 94 V-0)

Product description      **Contacts: 6 DIN, female cable connector with cable clamp, shieldable, cable outlet 4 - 6 mm, silver plated contacts**

Area                              **M16 IP40 Series 581**  
Order number                **99 2022 10 06**

Component part drawing



Product description	<b>Contacts: 6 DIN, female cable connector with cable clamp, shieldable, cable outlet 4 - 6 mm, silver plated contacts</b>
Area	<b>M16 IP40 Series 581</b>
Order number	<b>99 2022 10 06</b>

## Security notices

The connector must not be connected or separated under load. Non-observance and incorrect use can result in personal injury.

The connectors are designed for use in plant, control system and electrical equipment. The end user is responsible for checking whether the connectors are suitable for use in other applications.

To prevent the connector being opened unintentionally when used in electrical circuits containing hazardous life parts, the thread between the housing and the connector head must be secured using a suitable cyanoacrylate adhesive. This does not apply to connectors used in SELV and PELV circuits according to IEC 61140 (EN 61140, VDE 0140-1).

Connectors used in electrical circuits containing hazardous life parts must only be assembled and used by or under the supervision of persons with the requisite electrotechnical training, taking the applicable regulations and standards into account.

The connector is not suitable for mains voltages. Please observe the pollution degrees and the overvoltage category. For further information refer to 'Technical support' in the Download Centre.

To lock the cable connector to the equipment connector, the threaded ring is tightened until it is 'finger-tight' (approx. 50 cNm).