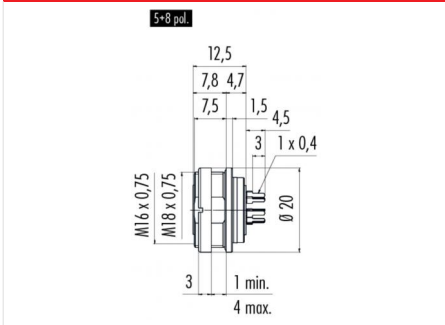


Product description	<b>Contacts: 7, female panel mount connector, dip-solder, screwed from front, 2 - 8 contacts, gold plated contacts, UL approval</b>
Area	<b>M16 IP67 Series 423/ 723/ 425</b>
Order number	<b>09 0128 99 07</b>

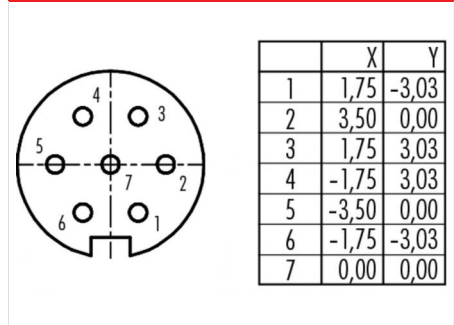
**Illustration**



**Scale drawing**



**Contact arrangement**



You can find the assembly instructions on the next page.

**Technical data**

**General values**

Connector design	female panel mount connector
Connector locking system	bolted
Termination	dip-solder
Wire gauge (mm)	-
Wire gauge (AWG)	-
Upper limit temperature	95 °C
Lower limit temperature	-40 °C

**Cable data**

Approval 1	UL
------------	----

**Electrical values**

Rated voltage	125 V
Rated impulse voltage	800 V
Pollution degree	1
Overvoltage category	I
Insulating material group	III
Rated current (40 °C)	5 A
Volume resistivity	≤ 3 mΩ
EMC compliance	Shielding is not possible
Degree of protection	IP67
Mechanical operation	> 500 Mating cycles

**Material**

Contact material	CuSn (bronze)
Contact plating	Au (gold)
Contact body material	PBT (UL 94 V-0)

Product description

Contacts: 7, female panel mount connector, dip-solder, screwed from front, 2 - 8 contacts, gold plated contacts, UL approval

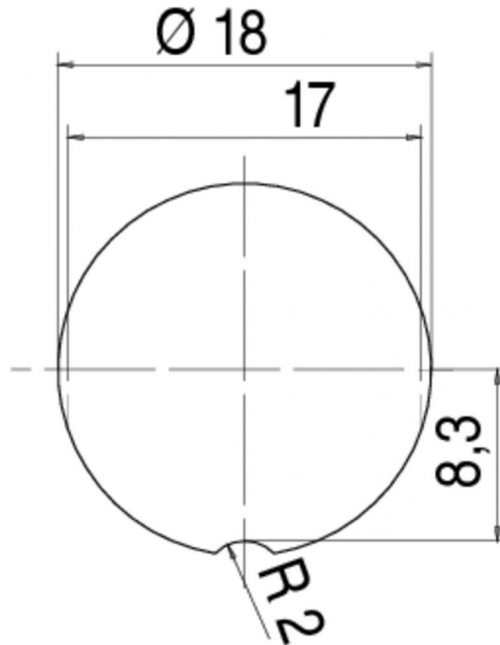
Area

M16 IP67 Series 423/ 723/ 425

Order number

09 0128 99 07

Assembly instructions / Panel cut-out



Product description	<b>Contacts: 7, female panel mount connector, dip-solder, screwed from front, 2 - 8 contacts, gold plated contacts, UL approval</b>
Area	<b>M16 IP67 Series 423/ 723/ 425</b>
Order number	<b>09 0128 99 07</b>

## Sicherheitshinweise

The connector must not be connected or separated under load. Non-observance and incorrect use can result in personal injury.

The connectors are designed for use in plant, control system and electrical equipment. The end user is responsible for checking whether the connectors are suitable for use in other applications.

Connectors with degree of protection IP 67 and IP 68 are not suitable for use under water. When used outdoors, the connectors must be separately protected against corrosion. For further information about IP degrees of protection refer to 'Technical support' in the Download Centre.