

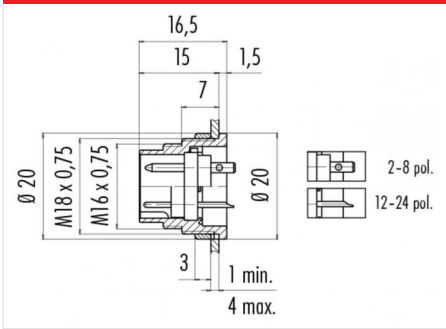
Product description **Contacts: 7, male panel mount connector, front fastened, with single wires**

Area **M16 IP40 Series 581/ 680/ 682**
 Order number **09 0327 782 07**

Illustration



Scale drawing



Contact arrangement

	X	Y
1	-1,75	-3,03
2	-3,50	0,00
3	-1,75	3,03
4	1,75	3,03
5	3,50	0,00
6	1,75	-3,03
7	0,00	0,00

You can find the assembly instructions on the next page.

Technical data

General values

Connector design	Flanschstecker
Connector locking system	schraub
Termination	Litzen
Wire gauge (mm)	-
Wire gauge (AWG)	22
Upper limit temperature	85 °C
Lower limit temperature	-30 °C

Electrical values

Rated voltage	100 V
Rated impulse voltage	1200 V
Pollution degree	1
Overvoltage category	I
Insulating material group	II
Rated current (40 °C)	5 A
Volume resistivity	≤ 5 mΩ
EMC compliance	nicht schirmbar
Degree of protection	IP40
Mechanical operation	> 500 Steckzyklen

Material

Contact material	CuSn (Bronze)
Contact plating	Ag (Silber)
Contact body material	PBT (UL 94 V-0)

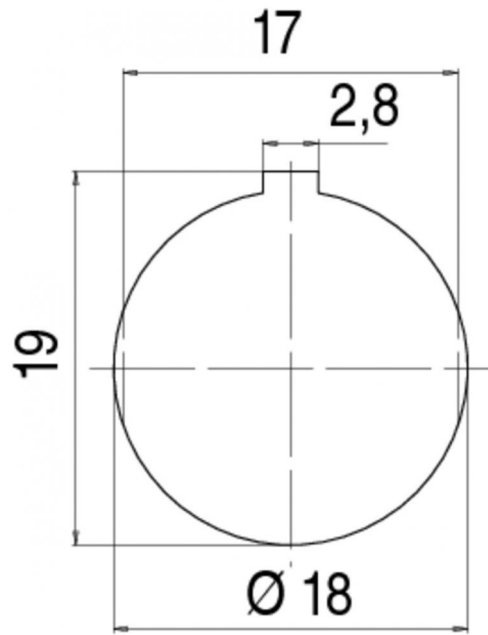
Product description

Contacts: 7, male panel mount connector, front fastened, with single wires

Area
Order number

M16 IP40 Series 581/ 680/ 682
09 0327 782 07

Assembly instructions / Panel cut-out



Product description	Contacts: 7, male panel mount connector, front fastened, with single wires
Area	M16 IP40 Series 581/ 680/ 682
Order number	09 0327 782 07

Sicherheitshinweise

The connector must not be connected or separated under load. Non-observance and incorrect use can result in personal injury.

The connectors are designed for use in plant, control system and electrical equipment. The end user is responsible for checking whether the connectors are suitable for use in other applications.