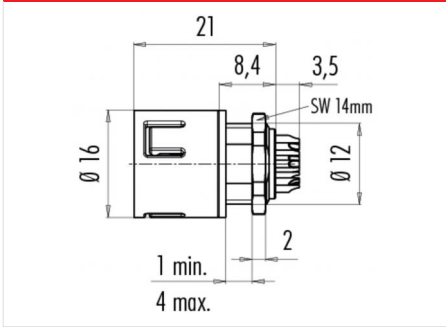


Product description	<b>Contacts: 3, male panel mount connector, green</b>
Area	<b>Snap-in IP67 Series 720</b>
Order number	<b>99 9107 70 03</b>

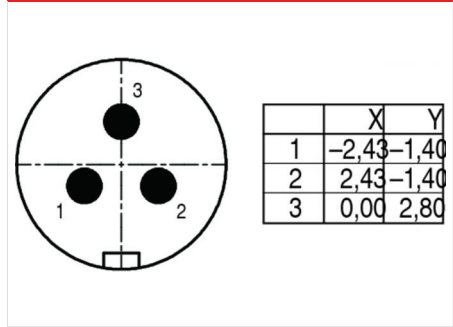
**Illustration**



**Scale drawing**



**Contact arrangement**



You can find the component part drawing and assembly instructions on the next page.

**Technical data**

**General values**

Connector design	Flanschstecker
Connector locking system	schnapp
Termination	Lötanschluss
Wire gauge (mm)	0,75 mm <sup>2</sup>
Wire gauge (AWG)	20
Upper limit temperature	85 °C
Lower limit temperature	-25 °C

**Cable data**

Approval 1	VDE
------------	-----

**Electrical values**

Rated voltage	250 V
Rated impulse voltage	2500 V
Pollution degree	2
Overvoltage category	II
Insulating material group	II
Rated current (40 °C)	7 A
Volume resistivity	≤ 3 mΩ
EMC compliance	nicht schirmbar
Degree of protection	IP67
Mechanical operation	> 500 Steckzyklen

**Material**

Contact material	CuZn (brass)
Contact plating	Au (Gold)
Contact body material	PA (UL 94 V-0)

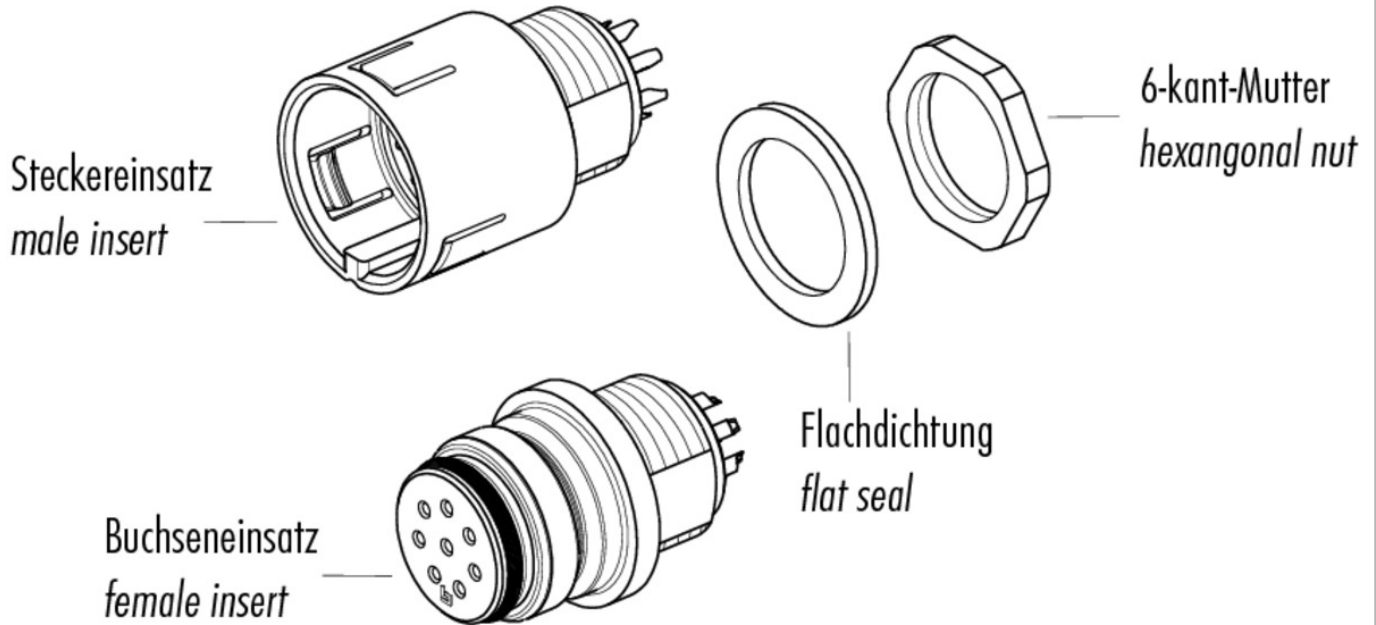
Product description

Contacts: 3, male panel mount connector, green

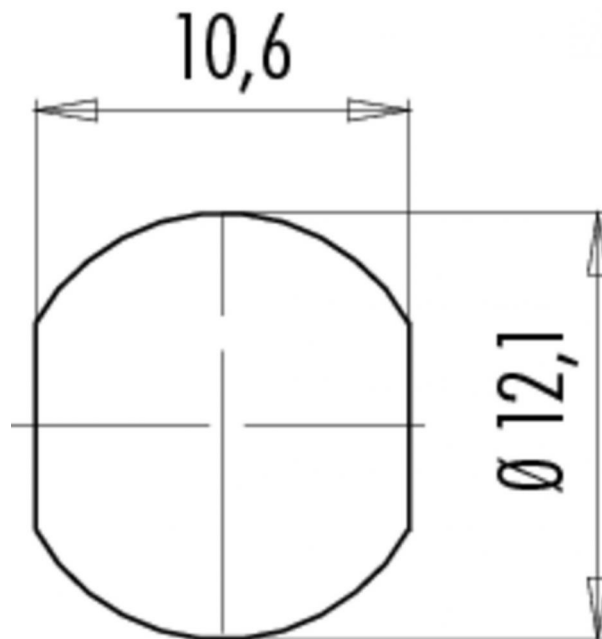
Area  
Order number

Snap-in IP67 Series 720  
99 9107 70 03

Component part drawing



Assembly instructions / Panel cut-out



Product description **Contacts: 3, male panel mount connector, green**

Area **Snap-in IP67 Series 720**  
Order number **99 9107 70 03**

## Sicherheitshinweise

The connector must not be connected or separated under load. Non-observance and incorrect use can result in personal injury.

The connectors are designed for use in plant, control system and electrical equipment. The end user is responsible for checking whether the connectors are suitable for use in other applications.

Connectors with degree of protection IP 67 and IP 68 are not suitable for use under water. When used outdoors, the connectors must be separately protected against corrosion. For further information about IP degrees of protection refer to 'Technical support' in the Download Centre.