

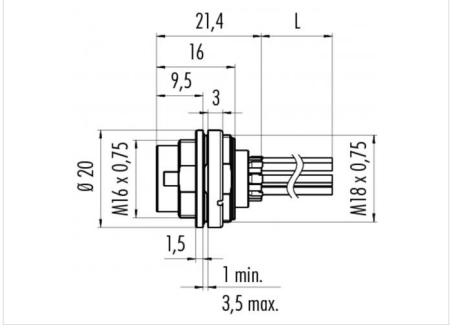
Product description **Contacts: 7, male panel mount connector with single wires**

Area **M16 IP67 Series 423/ 723/ 425**
 Order number **09 0127 702 07**

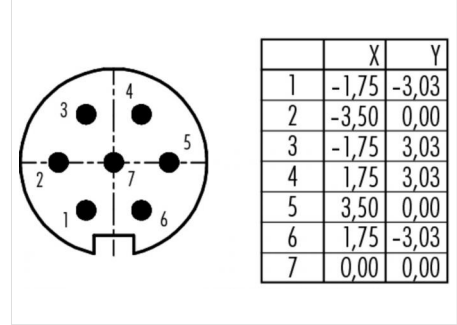
Illustration



Scale drawing



Contact arrangement



You can find the assembly instructions on the next page.

Technical data

General values

Connector design male panel mount connector
 Connector locking system bolted
 Termination single wires
 Wire gauge (AWG) 22
 Upper limit temperature 85 °C
 Lower limit temperature -30 °C

Cable data

Approval 1 UL

Electrical values

Rated current (40 °C) 5 A
 Rated voltage 100 V
 Rated impulse voltage 1200 V
 Pollution degree 1
 Overvoltage category I
 Insulating material group II
 Volume resistivity $\leq 5 \text{ m}\Omega$
 Insulation resistance $\geq 10^{10} \Omega$
 EMC compliance Shielding is not possible
 Degree of protection IP67
 Mechanical operation > 500 Mating cycles

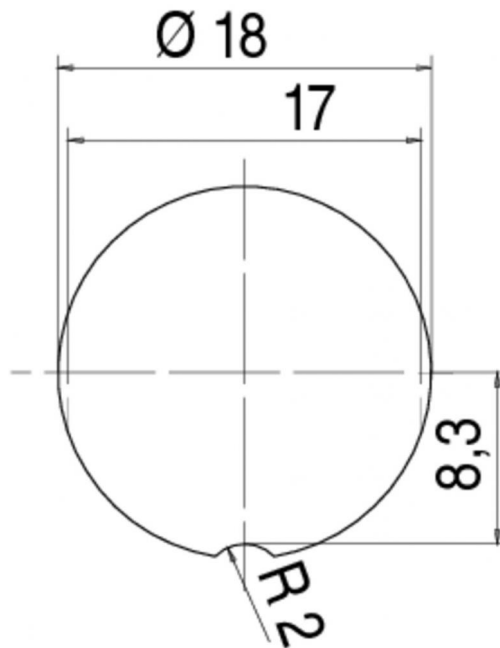
Material

Contact material CuSn (bronze)
 Contact plating Ag (silver)
 Contact body material PBT (UL 94 V-0)
 Housing material Zinc die-cast nickel-plated

Product description **Contacts: 7, male panel mount connector with single wires**

Area **M16 IP67 Series 423/ 723/ 425**
Order number **09 0127 702 07**

Assembly instructions / Panel cut-out



Product description **Contacts: 7, male panel mount connector with single wires**

Area **M16 IP67 Series 423/ 723/ 425**
Order number **09 0127 702 07**

Security notices

The connector must not be connected or separated under load. Non-observance and incorrect use can result in personal injury.

The connectors are designed for use in plant, control system and electrical equipment. The end user is responsible for checking whether the connectors are suitable for use in other applications.

Connectors with degree of protection IP 67 and IP 68 are not suitable for use under water. When used outdoors, the connectors must be separately protected against corrosion. For further information about IP degrees of protection refer to 'Technical support' in the Download Centre.