

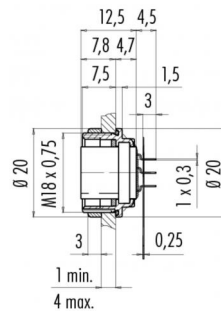
Product description **Contacts: 8 DIN, female panel mount connector with flexible plate, screwed from front, silver plated contacts**

Area **M16 IP67 Series 423/ 723/ 425**  
 Order number **09 0174 65 08**

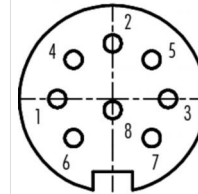
### Illustration



### Scale drawing



### Contact arrangement



	X	Y
1	-3,50	0,00
2	0,00	3,50
3	3,50	0,00
4	-2,47	2,47
5	2,47	2,47
6	-2,47	-2,47
7	2,47	-2,47
8	0,00	-0,70

**You can find the assembly instructions on the next page.**

## Technical data

### General values

Connector design female panel mount connector  
 Connector locking system bolted  
 Termination dip-solder  
 Upper limit temperature 95 °C  
 Lower limit temperature -40 °C

### Electrical values

Rated current (40 °C) 5 A  
 Rated voltage 60 V  
 Rated impulse voltage 500 V  
 Pollution degree 1  
 Overvoltage category I  
 Insulating material group III  
 Volume resistivity ≤ 5 mΩ  
 Insulation resistance ≥ 10<sup>10</sup>Ω  
 EMC compliance Shielding is not possible  
 Degree of protection IP67  
 Mechanical operation > 500 Mating cycles

### Material

Contact material CuSn (bronze)  
 Contact plating Ag (silver)  
 Contact body material PBT (UL 94 V-0)

Product description

Contacts: 8 DIN, female panel mount connector with flexible plate, screwed from front, silver plated contacts

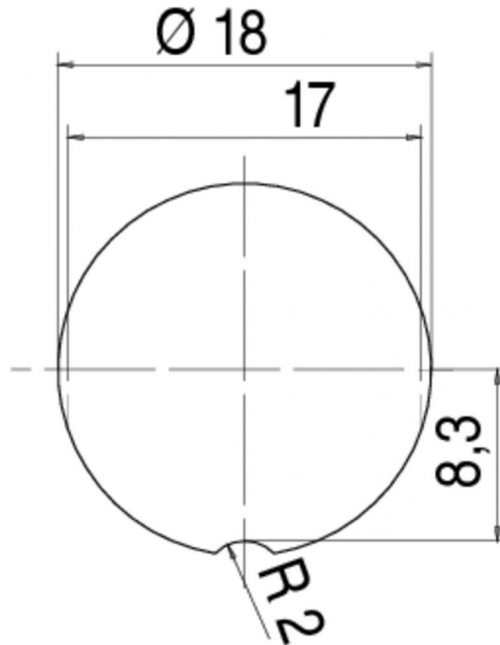
Area

M16 IP67 Series 423/ 723/ 425

Order number

09 0174 65 08

Assembly instructions / Panel cut-out



Product description	<b>Contacts: 8 DIN, female panel mount connector with flexible plate, screwed from front, silver plated contacts</b>
Area	<b>M16 IP67 Series 423/ 723/ 425</b>
Order number	<b>09 0174 65 08</b>

## Security notices

The connectors are designed for use in plant, control system and electrical equipment. The end user is responsible for checking whether the connectors are suitable for use in other applications. Connectors with degree of protection IP 67 and IP 68 are not suitable for use under water. When used outdoors, the connectors must be separately protected against corrosion. For further information about IP degrees of protection refer to 'Technical support' in the Download Centre.