

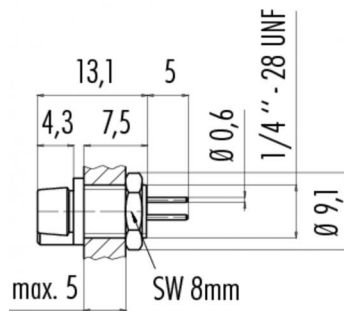
Product description **Contacts: 5, female panel mount connector, dip-solder**

Area **Snap-in IP40 Series 709/719**
Order number **09 9792 20 05**

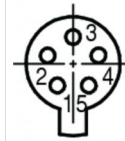
Illustration



Scale drawing



Contact arrangement



	X	Y
1	-0,88	-1,21
2	-1,42	0,46
3	0,00	1,49
4	1,42	0,46
5	0,88	-1,21

You can find the component part drawing and assembly instructions on the next page.

Technical data

General values

Connector design female panel mount connector
Connector locking system snap
Termination dip-solder
Upper limit temperature 70 °C
Lower limit temperature -25 °C

Electrical values

Rated current (40 °C) 3 A
Rated voltage 60 V
Rated impulse voltage 800 V
Pollution degree 1
Overvoltage category II
Insulating material group III
Volume resistivity $\leq 3 \text{ m}\Omega$
Insulation resistance $\geq 10^{10} \Omega$
EMC compliance Shielding is not possible
Degree of protection IP40
Mechanical operation > 100 Mating cycles

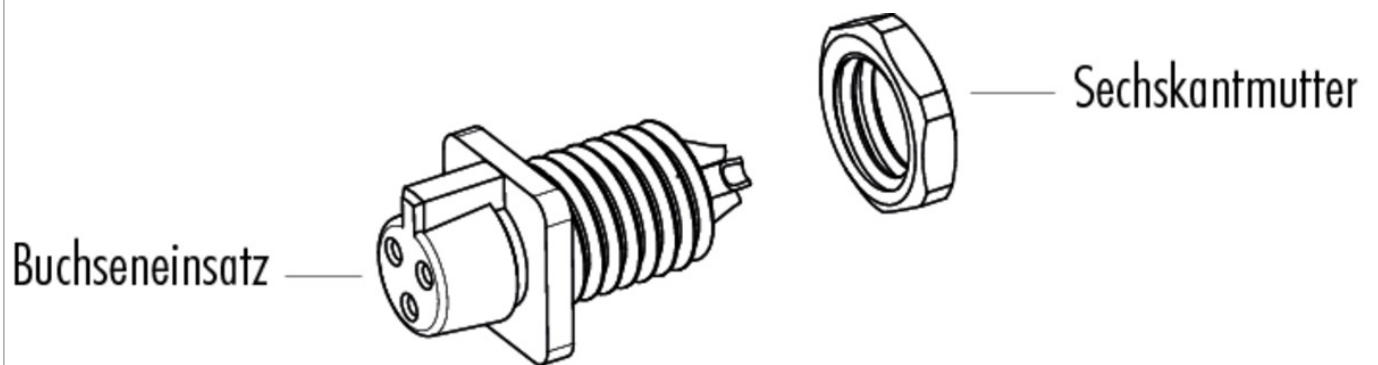
Material

Contact material CuSn (bronze)
Contact plating Au (gold)
Contact body material PA

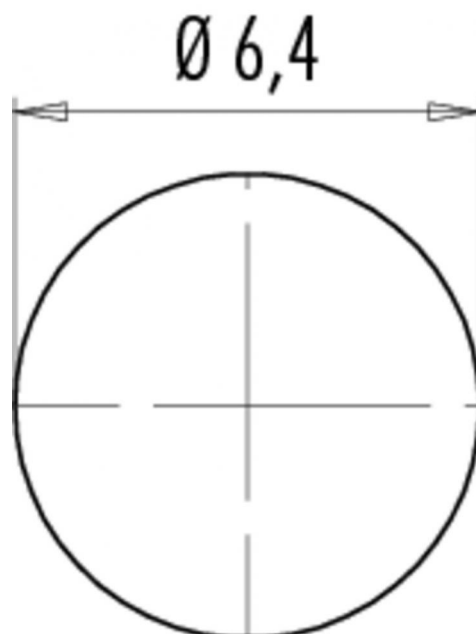
Product description **Contacts: 5, female panel mount connector, dip-solder**

Area **Snap-in IP40 Series 709/719**
Order number **09 9792 20 05**

Component part drawing



Assembly instructions / Panel cut-out



Product description **Contacts: 5, female panel mount connector, dip-solder**

Area **Snap-in IP40 Series 709/719**
Order number **09 9792 20 05**

Security notices

The connectors are designed for use in plant, control system and electrical equipment. The end user is responsible for checking whether the connectors are suitable for use in other applications.