

Product data sheet

Miniature connectors



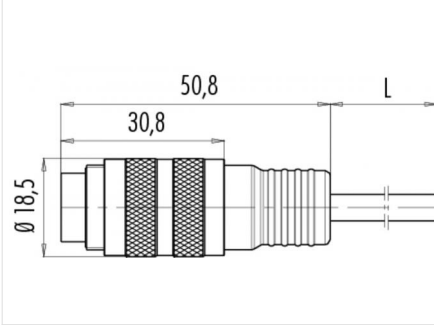
Product description **Contacts: 14, cable: 8 x 0.25mm², 2 x 0.5mm², cable plug connector**

Area **M16 IP67 Series 425**
Order number **79 6051 20 14**

Illustration



Scale drawing



Contact arrangement

	X	Y	
A	-2,50	-4,00	A braun/brown 0,5 mm ²
C	-4,25	0,00	-
E	-2,30	4,00	E schwarz/black
G	2,30	4,00	G rosa/pink
J	4,25	0,00	J grün/green
L	2,50	-4,00	L blau/blue 0,5 mm ²
M	-0,95	-2,40	M gebrückt mit A/bridged with A
N	-2,40	-0,95	N -
O	-2,40	0,95	O violett/purple
P	-0,95	2,40	P weiß/white
R	0,95	2,40	R rot/red
S	2,40	0,95	S grau/grey
T	2,40	-0,95	T gelb/yellow
U	0,95	-2,40	U gebrückt mit L/bridged with L

Technical data

General values

Connector design	cable connector
Connector locking system	bolted
Termination	moulded on cable
Wire gauge (mm)	8x 0,25 mm ² , 2x0,5 mm ²
Wire gauge (AWG)	8x24, 2x20
Upper limit temperature	70 °C
Lower limit temperature	-25 °C

Cable data

Sheath material	PUR
Single-lead insulation	PVC
Single-lead structure	32 x 0,1
Cable diameter	8
Bending radius, fixed cable	80 mm
Bending radius, moving cable	120 mm

Electrical values

Rated current (40 °C)	3 A
Rated voltage	60 V
Rated impulse voltage	500 V
Pollution degree	1
Overvoltage category	I
Insulating material group	III
Volume resistivity	≤ 3 mΩ
Insulation resistance	≥ 10 ¹⁰ Ω
EMC compliance	not shielded
Degree of protection	IP67
Mechanical operation	> 500 Mating cycles

Material

Contact material	CuZn (brass)
Contact plating	Au (gold)
Contact body material	PBT (UL 94 V-0)
Housing material	PUR

Product description **Contacts: 14, cable: 8 x 0.25mm², 2 x 0.5mm², cable plug connector**

Area **M16 IP67 Series 425**
Order number **79 6051 20 14**

Security notices

The connectors are designed for use in plant, control system and electrical equipment. The end user is responsible for checking whether the connectors are suitable for use in other applications.

Connectors with degree of protection IP 67 and IP 68 are not suitable for use under water. When used outdoors, the connectors must be separately protected against corrosion. For further information about IP degrees of protection refer to 'Technical support' in the Download Centre.

To lock the cable connector to the equipment connector, the threaded ring is tightened until it is 'finger-tight' (approx. 50 cNm).