

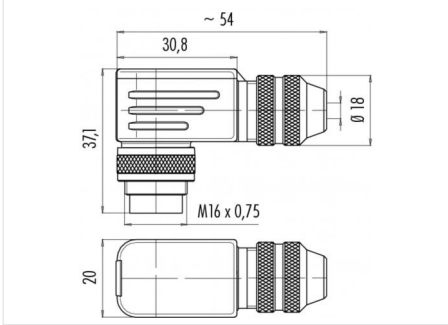
Product description **Contacts: 8 DIN, male angled connector, CRIMP connection, shieldable, cable outlet 4 - 6 mm**

Area **M16 IP67 Series 423**
 Order number **99 5171 750 08**

Illustration



Scale drawing



Contact arrangement

	X	Y
1	3,50	0,00
2	0,00	3,50
3	-3,50	0,00
4	2,47	2,47
5	-2,47	2,47
6	2,47	-2,47
7	-2,47	-2,47
8	0,00	-0,70

You can find the component part drawing on the next page.

Technical data

General values

Connector design	Winkelstecker
Connector locking system	schraub
Termination	crimpen (Crimpkontakte müssen separat bestellt werden)
Wire gauge (mm)	0,14-0,75 mm ²
Wire gauge (AWG)	26-20
Cable outlet	4,0 - 6,0 mm
Upper limit temperature	100 °C
Lower limit temperature	-40 °C

Electrical values

Rated voltage	60 V
Rated impulse voltage	500 V
Pollution degree	1
Overvoltage category	I
Insulating material group	III
Rated current (40 °C)	5 A
Volume resistivity	≤ 5 mΩ
EMC compliance	schirmbar
Degree of protection	IP67
Mechanical operation	> 500 Steckzyklen

Cable data

Approval 1	UL
------------	----

Material

Contact material	CuSn (bronze)
Contact plating	Ag (Silber)
Contact body material	PBT (UL 94 V-0)

Product description

Contacts: 8 DIN, male angled connector, CRIMP connection, shieldable, cable outlet 4 - 6 mm

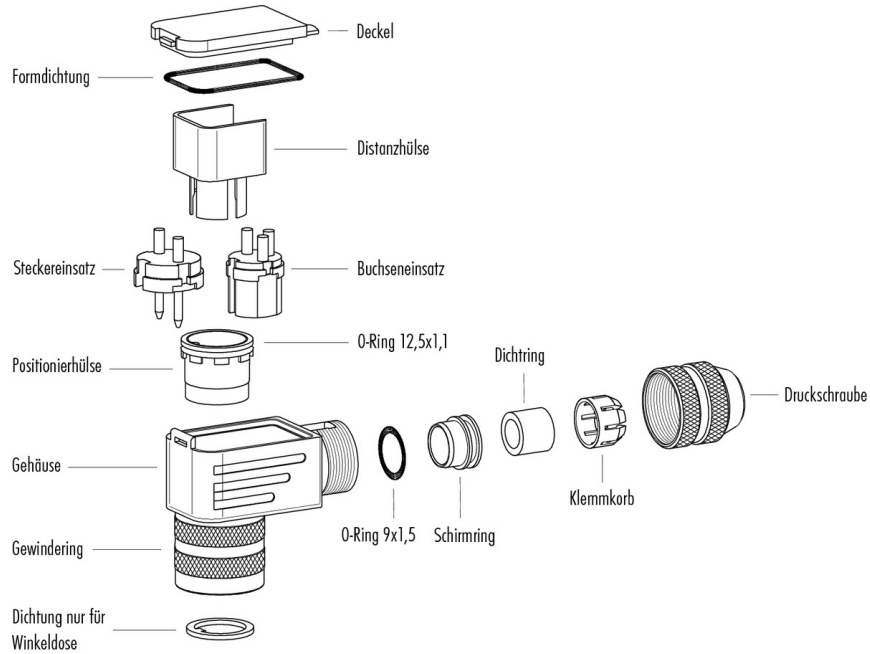
Area

M16 IP67 Series 423

Order number

99 5171 750 08

Component part drawing



Product description	Contacts: 8 DIN, male angled connector, CRIMP connection, shieldable, cable outlet 4 - 6 mm
Area	M16 IP67 Series 423
Order number	99 5171 750 08

Sicherheitshinweise

The connectors are designed for use in plant, control system and electrical equipment. The end user is responsible for checking whether the connectors are suitable for use in other applications.

Connectors with degree of protection IP 67 and IP 68 are not suitable for use under water. When used outdoors, the connectors must be separately protected against corrosion. For further information about IP degrees of protection refer to 'Technical support' in the Download Centre.

To lock the cable connector to the equipment connector, the threaded ring is tightened until it is 'finger-tight' (approx. 50 cNm).