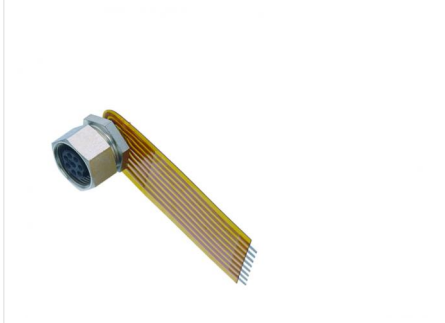


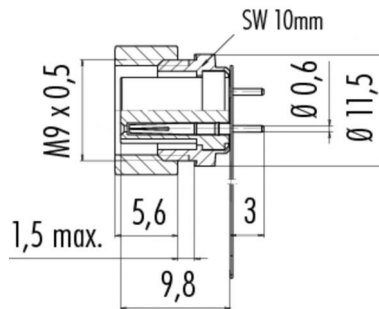
Product description **M9 IP40 female panel mount connector, Contacts: 8, Shielding is not possible, dip-solder, IP40**

Area **M9 IP40 series 711**  
Order number **09 0482 65 08**

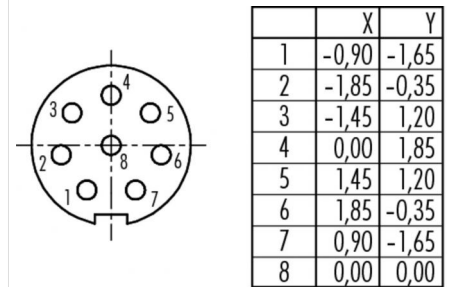
### Illustration



### Scale drawing



### Contact arrangement



**You can find the assembly instructions on the next page.**

## Technical data

### General values

Connector design female panel mount connector  
Connector locking system screw  
Termination dip-solder  
Upper limit temperature 85 °C  
Lower limit temperature -40 °C  
Customs tariff number 85369010

### Electrical values

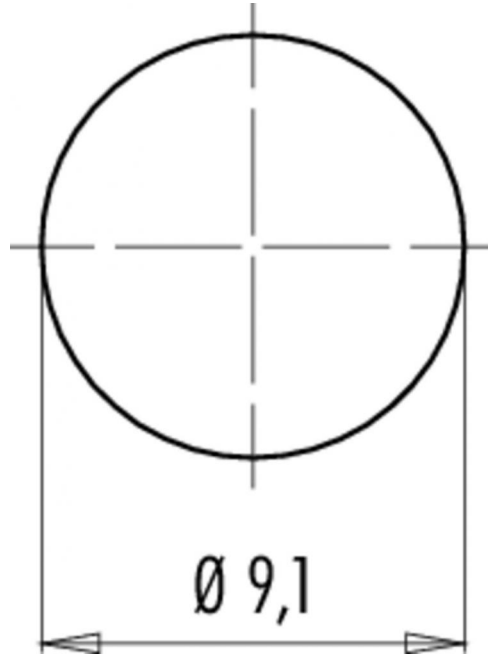
Rated current (40 °C) 1 A  
Rated voltage 125 V  
Rated impulse voltage 1500 V  
Pollution degree 1  
Overvoltage category II  
Insulating material group III  
Insulation resistance  $\geq 10^{10} \Omega$   
EMC compliance Shielding is not possible  
Degree of protection IP40  
Mechanical operation > 500 Mating cycles

### Material

Contact material CuSn (bronze)  
Contact plating Au (gold)  
Contact body material PA (UL 94 V-0)

Product description	<b>M9 IP40 female panel mount connector, Contacts: 8, Shielding is not possible, dip-solder, IP40</b>
Area	<b>M9 IP40 series 711</b>
Order number	<b>09 0482 65 08</b>

Assembly instructions / Panel cut-out



Product description	<b>M9 IP40 female panel mount connector, Contacts: 8, Shielding is not possible, dip-solder, IP40</b>
Area	<b>M9 IP40 series 711</b>
Order number	<b>09 0482 65 08</b>

## Security notices

The connector must not be connected or separated under load. Non-observance and incorrect use can result in personal injury.

The connectors are designed for use in plant, control system and electrical equipment. The end user is responsible for checking whether the connectors are suitable for use in other applications.