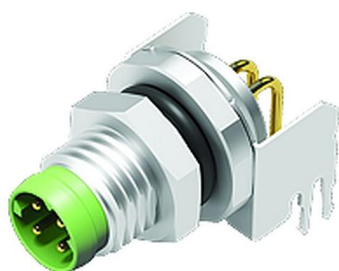
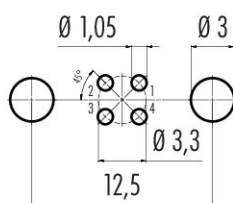


Product description **M8 Male angled panel mount connector, Contacts: 4, shieldable, THT, IP67**
Area **M8-D**
Part no. **86 6321 1121 00404**

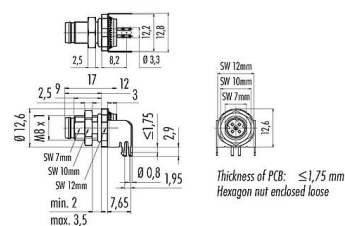
Illustration



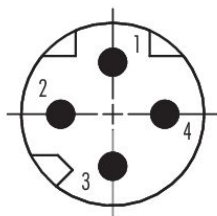
Conductor layout



Scale drawing



Contact arrangement (Plug-in side)



You can find the assembly instructions on the next page.

Technical data

General features

Part no.	86 6321 1121 00404
Connector design	Male angled panel mount connector
Type standard	DIN EN 61076-2-114
Version	Connector pin angled
Connector locking system	screw
Termination	THT

Product data sheet

Automation technology - Sensors and actuators



Product description	M8 Male angled panel mount connector, Contacts: 4, shieldable, THT, IP67
Area	M8-D
Part no.	86 6321 1121 00404

Degree of protection	IP67
Temperature range from/to	-40 °C / 85 °C
Mechanical operation	> 100 Mating cycles
Weight (g)	3.0
Customs tariff number	85369010

Electrical parameters

Rated voltage	63 V DC
Rated impulse voltage	1500 V
Rated current	4.0 A
Insulation resistance	> 10 ⁸ Ω
Pollution degree	3
Insulating material group	III
EMC compliance	shieldable
Shield connection	Shielding plate

Material

Housing material	Zinc die-cast nickel-plated
Contact body material	PA yellow/green
Contact material	CuZn (brass) / CuSn (bronze)
Contact plating	Au (gold)
REACH SVHC	CAS 7439-92-1 (Lead) NK (Nicht klassifiziert)

Classifications

eCl@ss 11.1	27-44-01-09
ETIM 9.0	EC003569

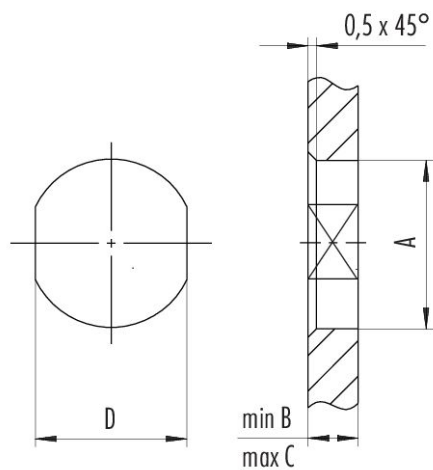
Product description **M8 Male angled panel mount connector, Contacts: 4, shieldable, THT, IP67**

Area **M8-D**
Part no. **86 6321 1121 00404**

Assembly instructions / Panel cut-out

1st Installation proposal

With flats as anti-rotation device



Thread E	A	B	C	D
M8 x 0,5	8,1	2,5	3,5	7,1
M8 x 1	8,1	2,5	3,5	7,1
M10 x 0,75	10,1	2,5	5,0	9,1

Tightening torque

M8 x 0,5	0,8 Nm
M8 x 1/M10 x 0,75	1,0 Nm

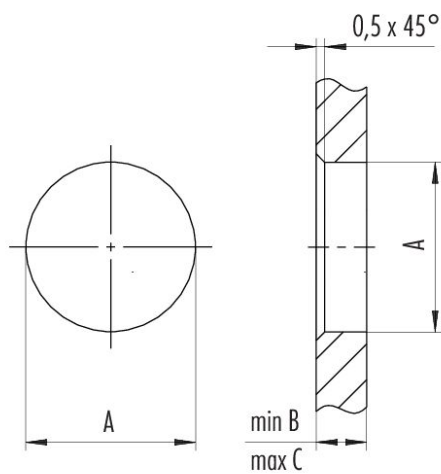
Product description **M8 Male angled panel mount connector, Contacts: 4, shieldable, THT, IP67**

Area **M8-D**
Part no. **86 6321 1121 00404**

Assembly instructions / Panel cut-out

2nd Installation proposal

With bore hole



Thread E	A	B	C	D
M8 x 0,5	8,1	2,5	3,5	7,1
M8 x 1	8,1	2,5	3,5	7,1
M10 x 0,75	10,1	2,5	5,0	9,1

Tightening torque

M8 x 0,5	0,8 Nm
M8 x 1/M10 x 0,75	1,0 Nm

Product description	M8 Male angled panel mount connector, Contacts: 4, shieldable, THT, IP67
Area	M8-D
Part no.	86 6321 1121 00404

Security notices

The connector must not be plugged or unplugged under load. Non-observance and improper use can result in personal injury.

The connectors have been developed for applications in plant engineering, control and electrical equipment construction. The user is responsible for checking whether the connectors can also be used in other areas of application.

Connectors which are used in circuits with voltages dangerous to the touch may only be installed and used by, or under the supervision of, persons with electrical engineering training, taking into account the applicable regulations and standards.

The user must take suitable safety precautions to ensure that the connector cannot be accidentally disconnected.

Plug connectors with enclosure protection IP67 and IP68 are not suitable for use under water. When used outdoors, the plug connectors must be protected separately against corrosion. For further information on the IP protection classes, please refer to the "Technical Information" download centre.

The plug connector is not suitable for mains voltages. Please observe the pollution degree and the overvoltage category. For further information, please refer to the download center "Technical Information".

To lock the cable connector with the device connector, the threaded ring is tightened "hand-tight" (approx. 40 cNm).