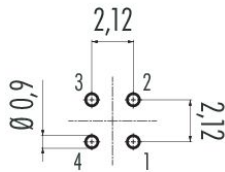


Product description **Snap-In Male panel mount connector, Contacts: 4, unshielded, THT, IP40**  
 Area **Snap-in IP40**  
 Part no. **09 9765 20 04**

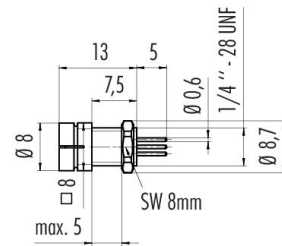
**Illustration**



**Conductor layout**



**Scale drawing**



**Contact arrangement (Plug-in side)**



You can find the component part drawing and assembly instructions on the next page.

**Technical data**

General features

Part no.	<b>09 9765 20 04</b>
Connector design	Male panel mount connector
Version	Connector pin straight
Connector locking system	snap-in
Termination	THT
Degree of protection	IP40
Temperature range from/to	-25 °C / 70 °C
Mechanical operation	> 100 Mating cycles

# Product data sheet

## Subminiature connectors



Product description	<b>Snap-In Male panel mount connector, Contacts: 4, unshielded, THT, IP40</b>
Area	<b>Snap-in IP40</b>
Part no.	<b>09 9765 20 04</b>

Weight (g)	1.22
Customs tariff number	85369010
Country of Origin	DE

### Electrical parameters

Rated voltage	60 V
Rated impulse voltage	800 V
Rated current	3,0 A
Insulation resistance	$\geq 10^{10} \Omega$
Pollution degree	1
Overvoltage category	II
Insulating material group	III
EMC compliance	unshielded

### Material

Housing material	PA
Contact body material	PA
Contact material	CuZn (brass)
Contact plating	Au (gold)
REACH SVHC	CAS 7439-92-1 (Lead)
SCIP number	b998ffe3-5fdd-4ba6-acbe-fbd7a3ce07f7

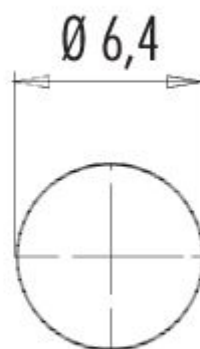
### Classifications

eCl@ss 11.1	27-44-01-09
ETIM 9.0	EC003569

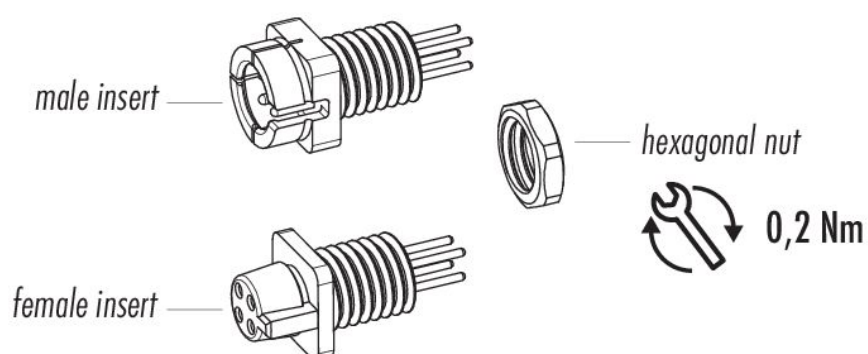
Product description Snap-In Male panel mount connector, Contacts: 4, unshielded, THT, IP40

Area Snap-in IP40  
Part no. 09 9765 20 04

### Assembly instructions / Panel cut-out



### Component part drawing



Product description	<b>Snap-In Male panel mount connector, Contacts: 4, unshielded, THT, IP40</b>
Area	<b>Snap-in IP40</b>
Part no.	<b>09 9765 20 04</b>

### **Security notices**

The connector must not be plugged or unplugged under load. Non-observance and improper use can result in personal injury.

The connectors have been developed for applications in plant engineering, control and electrical equipment construction. The user is responsible for checking whether the connectors can also be used in other areas of application.

Connectors which are used in circuits with voltages dangerous to the touch may only be installed and used by, or under the supervision of, persons with electrical engineering training, taking into account the applicable regulations and standards.

The user must take suitable safety precautions to ensure that the connector cannot be accidentally disconnected.

The plug connector is not suitable for mains voltages Please observe the pollution degree and the overvoltage category. For further information, please refer to the download center "Technical Information".