

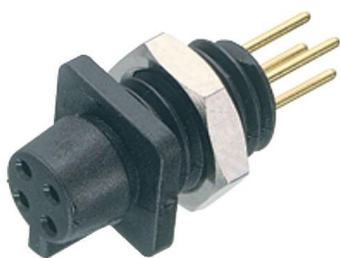
Product data sheet

Subminiature connectors

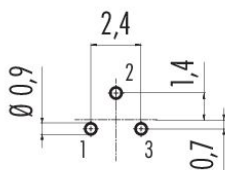


Product description **Snap-In Female panel mount connector, Contacts: 3, unshielded, THT, IP40**
Area **Snap-in IP40**
Part no. **09 9750 20 03**

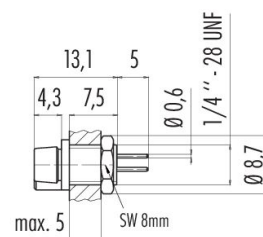
Illustration



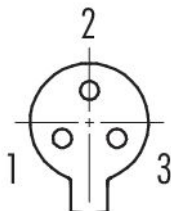
Conductor layout



Scale drawing



Contact arrangement (Plug-in side)



You can find the component part drawing and assembly instructions on the next page.

Technical data

General features

Part no.	09 9750 20 03
Connector design	Female panel mount connector
Version	Connector socket straight
Connector locking system	snap-in
Termination	THT
Degree of protection	IP40

Product data sheet

Subminiature connectors



Product description	Snap-In Female panel mount connector, Contacts: 3, unshielded, THT, IP40
Area	Snap-in IP40
Part no.	09 9750 20 03

Temperature range from/to	-25 °C / 70 °C
Mechanical operation	> 100 Mating cycles
Weight (g)	1.18
Customs tariff number	85369010
Country of Origin	DE

Electrical parameters

Rated voltage	60 V
Rated impulse voltage	800 V
Rated current	3,0 A
Insulation resistance	$\geq 10^{10} \Omega$
Pollution degree	1
Overvoltage category	II
Insulating material group	III
EMC compliance	unshielded

Material

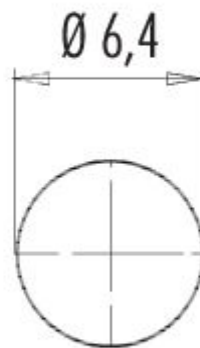
Housing material	PA
Contact body material	PA
Contact material	CuSn (bronze)
Contact plating	Au (gold)
REACH SVHC	CAS 7439-92-1 (Lead)
SCIP number	682312ae-b061-49fb-8903-dc26259f2f3d

Classifications

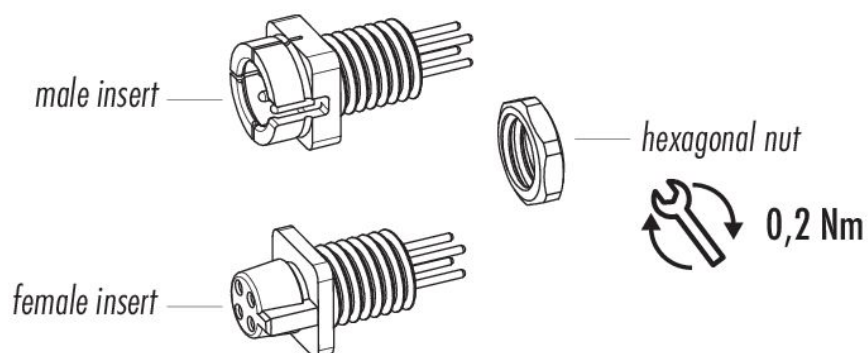
eCl@ss 11.1	27-44-01-09
ETIM 9.0	EC003569

Product description	Snap-In Female panel mount connector, Contacts: 3, unshielded, THT, IP40
Area	Snap-in IP40
Part no.	09 9750 20 03

Assembly instructions / Panel cut-out



Component part drawing



Product description	Snap-In Female panel mount connector, Contacts: 3, unshielded, THT, IP40
Area	Snap-in IP40
Part no.	09 9750 20 03

Security notices

The connector must not be plugged or unplugged under load. Non-observance and improper use can result in personal injury.

The connectors have been developed for applications in plant engineering, control and electrical equipment construction. The user is responsible for checking whether the connectors can also be used in other areas of application.

Connectors which are used in circuits with voltages dangerous to the touch may only be installed and used by, or under the supervision of, persons with electrical engineering training, taking into account the applicable regulations and standards.

The user must take suitable safety precautions to ensure that the connector cannot be accidentally disconnected.

The plug connector is not suitable for mains voltages Please observe the pollution degree and the overvoltage category. For further information, please refer to the download center "Technical Information".