

Product data sheet

Power connectors

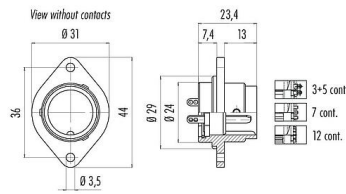


Product description	Bayonet Male panel mount connector, Contacts: 3, unshielded, solder, IP40
Area	Bayonet IP40 Power
Part no.	09 0057 00 03

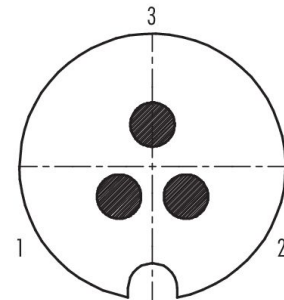
Illustration



Scale drawing



Contact arrangement (Plug-in side)



You can find the component part drawing and assembly instructions on the next page.

Technical data

General features

Part no.	09 0057 00 03
Connector design	Male panel mount connector
Version	Connector pin straight
Connector locking system	Bayonet
Termination	solder
Degree of protection	IP40
Cross-sectional area	2.50 mm ² / AWG 14
Temperature range from/to	-40 °C / 85 °C
Mechanical operation	> 50 Mating cycles
Weight (g)	14.48
Customs tariff number	85369010
Country of Origin	DE

Electrical parameters

Rated voltage	250 V
Rated impulse voltage	2500 V
Rated current	10.0 A
Insulation resistance	≥ 10 ¹⁰ Ω
Pollution degree	1
Overvoltage category	II
Insulating material group	III
EMC compliance	unshielded

Product data sheet

Power connectors



Product description	Bayonet Male panel mount connector, Contacts: 3, unshielded, solder, IP40
Area	Bayonet IP40 Power
Part no.	09 0057 00 03

Material

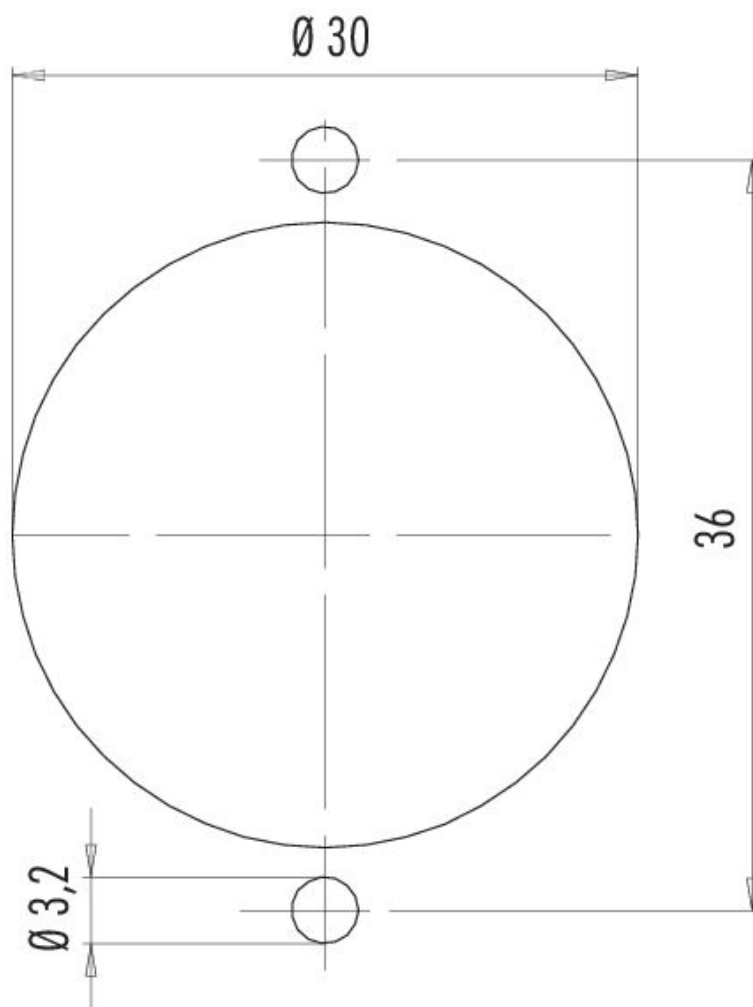
Housing material	PBT
Contact body material	PBT (UL94 V-0)
Contact material	CuZn (brass)
Contact plating	Ag (silver)
REACH SVHC	None (No pollutants)
SCIP number	SCIP-number not available

Classifications

eCl@ss 11.1	27-44-01-09
ETIM 9.0	EC003569

Product description	Bayonet Male panel mount connector, Contacts: 3, unshielded, solder, IP40
Area	Bayonet IP40 Power
Part no.	09 0057 00 03

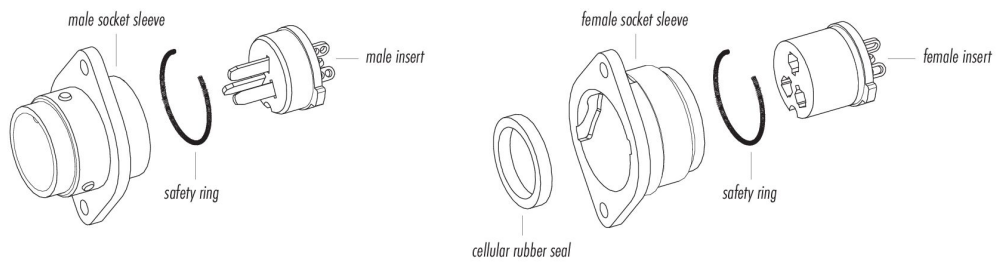
Assembly instructions / Panel cut-out



Product description **Bayonet Male panel mount connector, Contacts: 3, unshielded, solder, IP40**

Area **Bayonet IP40 Power**
Part no. **09 0057 00 03**

Component part drawing



Product description	Bayonet Male panel mount connector, Contacts: 3, unshielded, solder, IP40
Area	Bayonet IP40 Power
Part no.	09 0057 00 03

Security notices

The connector must not be plugged or unplugged under load. Non-observance and improper use can result in personal injury.

The connectors have been developed for applications in plant engineering, control and electrical equipment construction. The user is responsible for checking whether the connectors can also be used in other areas of application.

Connectors which are used in circuits with voltages dangerous to the touch may only be installed and used by, or under the supervision of, persons with electrical engineering training, taking into account the applicable regulations and standards.

The user must take suitable safety precautions to ensure that the connector cannot be accidentally disconnected.

The plug connector is not suitable for mains voltages Please observe the pollution degree and the overvoltage category. For further information, please refer to the download center "Technical Information".